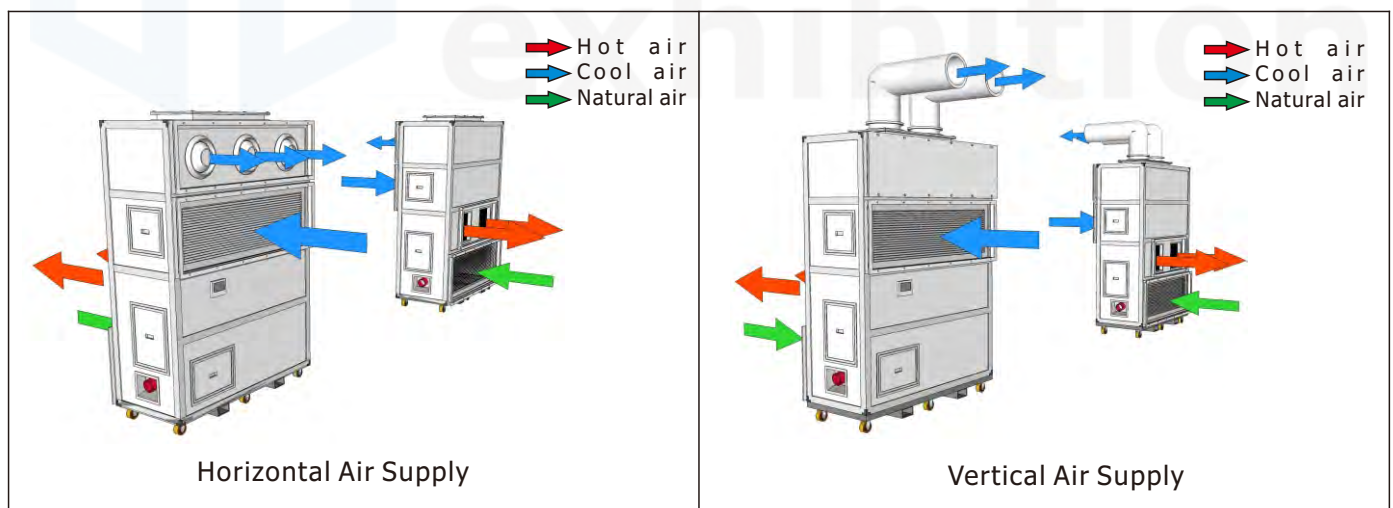
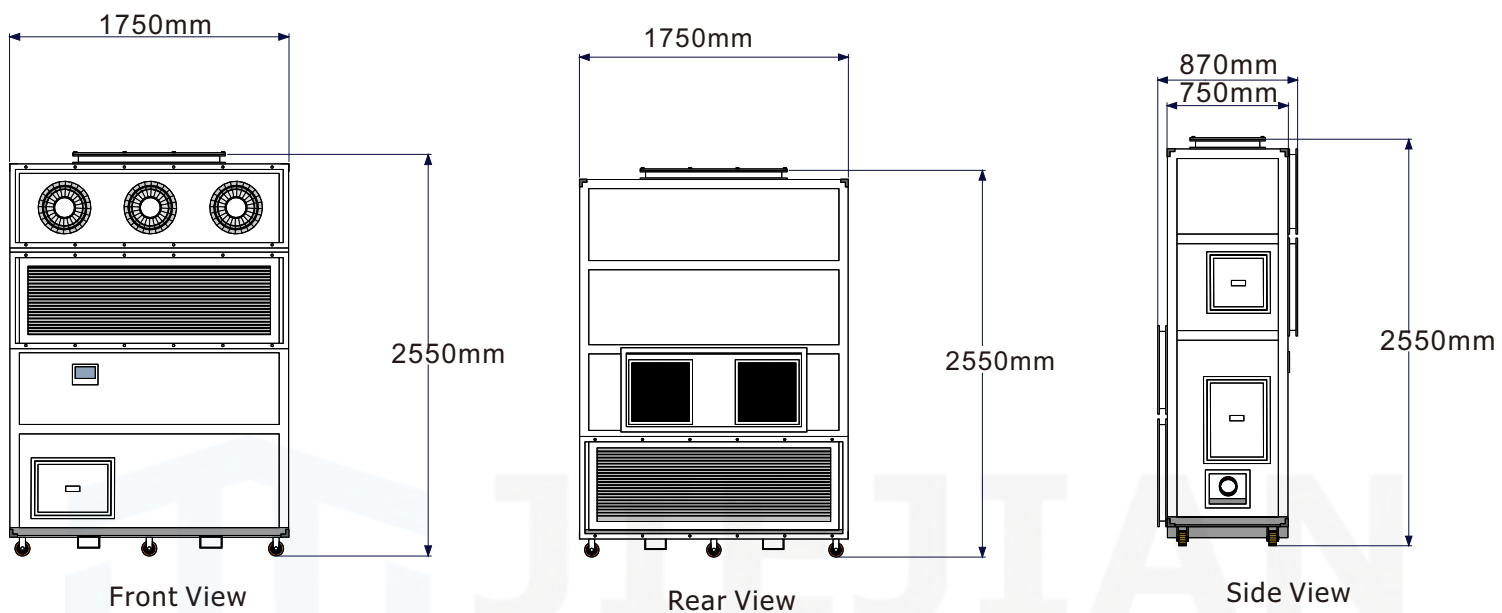


I. Specifications of 8 Ton AC Unit

Cooling Capacity : 29kW(10HP、 8US.RT)	Heating Capacity : 38kW
Cooling Air Flow : 5000M ³ /H	Input Power : 12kW
Power Supply : 380V/3N/50HZ	Noise : 60dB(A)
Dehumidification : 180L/24h (20°C. 75%humidity)	Running Current: 24A
Applicable Area : 1 unit for 100 square meters	Features: inside and outside, ease of assembly

II. Portable AC Unit Profile

Length:1750mm	Width:900mm	Height:2550mm	Weight:490kg
---------------	-------------	---------------	--------------



Perspective View of Tent AC Installation

